

## •第37组 家族词汇: tra/tract

tract \_\_\_\_\_ /'træktə (r)/*n.* 拖拉机

\_\_\_\_\_ /ə'trækt/*v.* 吸引

attract \_\_\_\_\_ /ə'træktiv/*adj.* 吸引人的

attrac \_\_\_\_\_ /ə'trækʃn/*n.* 吸引人的事或物

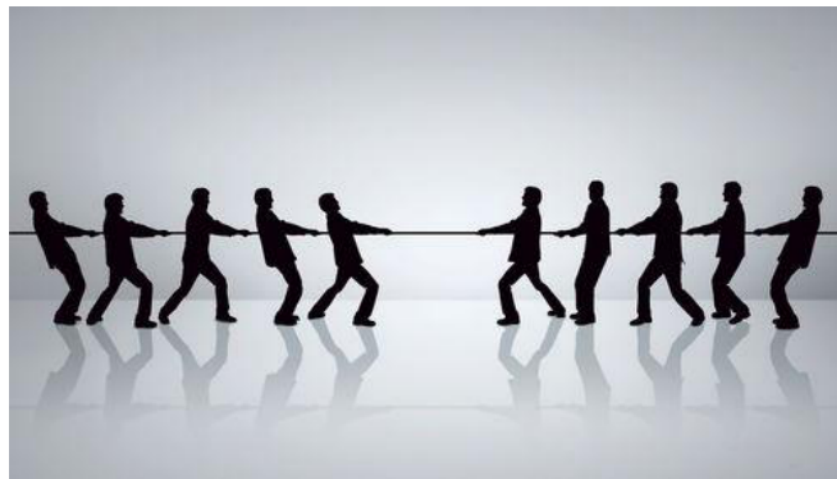
\_\_\_\_\_ tract/dɪ'strækt/*v.* 转移; 使分心

\_\_\_\_\_ traction/dɪ'strækʃn/*n.* 分散注意力的事; 娱乐, 消遣

\_\_\_\_\_ tract/'kɒntrækt/*n.* 合同 *v.* 签订合同

\_\_\_\_\_ tract/'æbstrækt/*adj.* 抽象的 *n.* 摘要

\_\_\_\_\_ /træk/*n.* 轨道; 足迹 *v.* 跟踪; 追踪



eg: employees who interact with their colleagues share meaningful work experiences, but those making connections outside the organization are distracted and unproductive.(2022.6)

## •第38组 家族词汇: st/sist

\_\_\_\_\_ /ə'sɪst/v. 帮助; 援助; 促进

assist \_\_\_\_\_ /ə'sɪstənt/n. 助手

\_\_\_\_\_ /ɪn'sɪst/v. 坚持

\_\_\_\_\_ /rɪ'zɪst/v. 抵制

resist \_\_\_\_\_ /rɪ'zɪstəns/n. 抵制

\_\_\_\_\_ /kən'sɪst/v. 由……组成; 存在于

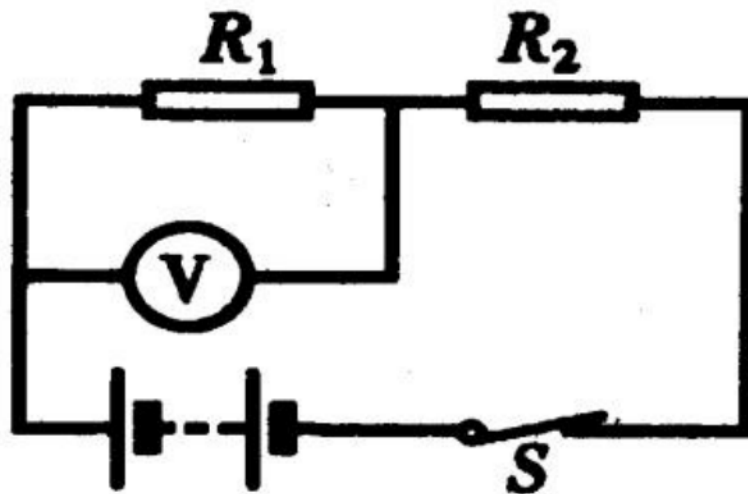
consist \_\_\_\_\_ /kən'sɪstənt/adj. 一致的

\_\_\_\_\_ /pə'sɪst/v. 顽强地坚持; 维持; 持续存在

persist \_\_\_\_\_ /pə'sɪstənt/adj. 执着的

\_\_\_\_\_ /ɪg'zɪst/v. 存在

exist \_\_\_\_\_ /ɪg'zɪstəns/n. 存在



eg: As remote work is largely unobservable to supervisors, employers need to think about how they can objectively measure the quality of work in a way that is consistent for employees of similar rank.(2022.9)

## •第39组 家族词汇: miss/mit

mis \_\_\_\_\_ /'mɪʃn/n. 任务

\_\_\_\_\_ mit/səb'mɪt/v. 提交, 呈递

\_\_\_\_\_ mit/træns'mɪt/v. 输送; 传播

\_\_\_\_\_ mit/i'mɪt/v. 排放; 散发 (光、热、气等)

emis \_\_\_\_\_ /i'mɪʃn/n. 排放 (物)

\_\_\_\_\_ /kə'mɪt/v. 犯, 干, 做; 承诺; 委托

commit \_\_\_\_\_ /kə'mɪtmənt/n. 承诺

commit \_\_\_\_\_ /kə'mɪti/n. 委员会

\_\_\_\_\_ mit/əd'mɪt/v. 承认; 接收 (入学); 录取

admis \_\_\_\_\_ /əd'mɪʃn/n. 承认; 准许加入

\_\_\_\_\_ /pə'mɪt/v. 允许

permis \_\_\_\_\_ /pə'mɪʃn/n. 准许; 许可



Perhaps this is because older people had fewer  
ons when they were starting their careers, at a time  
n values focused more on stable incomes than 32  
onal missions.(2022.9)

## •第40组 家族词汇: ac/ag

\_\_\_\_\_ /ækt/n. 行为; 法令 v. 行动; 扮演; 假装; 起作用

ac \_\_\_\_\_ /'ækʃn/n. 行动

ac \_\_\_\_\_ /'æktɪv/adj. 积极的

ac \_\_\_\_\_ /æk'tɪvəti/n. 活动

ag \_\_\_\_\_ /'eɪdʒənt/n. 代理人

ag \_\_\_\_\_ /'eɪdʒənsi/n. 机构; 中介

\_\_\_\_\_ /ə'dʒendə/n. 议程

\_\_\_\_\_ act/ɪntər'ækt/v. 互相影响

\_\_\_\_\_ active/ɪntər'æktɪv/adj. 交互式的; 互动的

\_\_\_\_\_ action/ɪntər'ækʃn/n. 相互作用

\_\_\_\_\_ act/ri'ækt/v. 反应

\_\_\_\_\_ action/ri'ækʃn/n. 反应

\_\_\_\_\_ act/træn'zækt/v. 办理; 交易

\_\_\_\_\_ action/træn'zækʃn/n. 交易; 办理



Professor Wilding disagrees that labelling a high proportion of the population having a disease removes responsibility or may overwhelm health services, but that other common diseases, such as high blood pressure and diabetes, require people to take action to manage their condition.(2021.12)

## •第41组 家族词汇: dict

\_\_\_\_\_ /prɪ'dɪkt/v. 预言; 预报

predic \_\_\_\_\_ /prɪ'dɪkʃn/n. 预言; 预报

predict \_\_\_\_\_ /prɪ'dɪktəbl/adj. 可预见的

\_\_\_\_\_ /dɪk'teɪt/v. 口述; 强行规定; 命令

\_\_\_\_\_ /'ædɪkt/v. 使沉溺; 使上瘾 n. 上瘾的人

addic \_\_\_\_\_ /ə'dɪkʃn/n. 入迷

eg: They tell us the methods their forefathers used to predict the weather don't seem to work as well these days.(2023.6.3)



## •第42组 家族词汇: en

- \_\_\_\_\_ courage /m'kʌrɪdʒ/ v. 鼓励
- \_\_\_\_\_ /ɪn'ʃʊə (r)/ v. 保证; 确保
- en \_\_\_\_\_ /ɪ'neɪbl/ v. 使能够
- \_\_\_\_\_ /ɪn'hɑ:ns/ v. 提高; 增强
- en \_\_\_\_\_ /ɪn'taɪtl/ v. 使享有权利; 叫做……
- en \_\_\_\_\_ /ɪn'dʒɔɪ/ v. 享受; 享有
- enjoy \_\_\_\_\_ /ɪn'dʒɔɪəbl/ adj. 使人快乐的; 令人愉快的
- en \_\_\_\_\_ /ɪn'dʒʊə (r)/ v. 忍耐; 忍受
- en \_\_\_\_\_ /ɪn'la:dʒ/ v. 扩大; 扩充
- en \_\_\_\_\_ /ɪn'rɪtʃ/ v. 使丰富
- en \_\_\_\_\_ /ɪn'lɑɪtn/ v. 启发, 启蒙; 教导
- en \_\_\_\_\_ /ɪn'deɪndʒə (r)/ v. 危及
- en \_\_\_\_\_ /ɪn'fɔ:s/ v. 迫使
- wors \_\_\_\_\_ /'wɜ:sn/ v. 恶化
- \_\_\_\_\_ /'streŋθn/ v. 加强; 强化
- \_\_\_\_\_ /'di:pən/ v. 变强烈; 深化
- \_\_\_\_\_ /'brɔ:dn/ v. 加宽; 扩大
- \_\_\_\_\_ /'taɪtn/ v. (使) 变紧; 使严格
- \_\_\_\_\_ /'lu:sn/ v. (使) 变松



eg: Recent open debates on scientific research, health, and policy have aroused greater public attention and encouraged more diverse voices.(2022.6.1)

## •第43组 家族词汇: serv

\_\_\_\_\_ /sɜ:v/v. 招待; 服务; 可用作……

\_\_\_\_\_ /'sɜ:vɪs/n. 服务; 仪式; 服役

\_\_\_\_\_ /rɪ'zɜ:v/v. 预订

reserv \_\_\_\_\_ /,rezə'veɪʃn/n. 预订

\_\_\_\_\_ /prɪ'zɜ:v/v. 保护

\_\_\_\_\_ /dɪ'zɜ:v/v. 应得

\_\_\_\_\_ /kən'sɜ:v/v. 保护

conserv \_\_\_\_\_ /,kɒnsə'veɪʃn/n. 保护

conserv \_\_\_\_\_ /kən'sɜ:vətɪv/adj. 保守的

\_\_\_\_\_ /əb'zɜ:v/v. 注意到

observ \_\_\_\_\_ /,ɒbzə'veɪʃn/n. 观察



eg: He built a large consultation service to address the holistic (整体的) needs of hospitalized patients, including psychological and social factors."(2022.9)

## •第44组 家族词汇: soci

\_\_\_\_\_ /'səʊʃl/ *adj.* 社会的, 社会学的; 社交的

\_\_\_\_\_ /sə'saɪəti/ *n.* 社会; 协会

\_\_\_\_\_ /ə'səʊʃieɪt/ *v.* 使联系 *adj.* 副的 *n.* 合伙人

\_\_\_\_\_ /ə,səʊʃi'eɪʃn/ *n.* 协会, 团体; 联系, 交往

\_\_\_\_\_ /'səʊʃəlaɪz/ *v.* 交往; 使适应社会

eg: There's a social dimension to health that we've completely overlooked in our efforts to find the best and most cutting-edge medical care ... (2022.9)



## •第45组 家族词汇: ver/vers

- \_\_\_\_\_ /'vɜ:ʃn/n. 版本; 译文
- \_\_\_\_\_ verse/'ju:nɪvɜ:s/n. 宇宙
- \_\_\_\_\_ vers \_\_\_\_\_ /ju:nɪ'vɜ:sl/adj. 普遍的
- \_\_\_\_\_ /daɪ'vɜ:səti/n. 多样性; 差异
- \_\_\_\_\_ /daɪ'vɜ:s/adj. 多样的; 不同的
- \_\_\_\_\_ vers \_\_\_\_\_ /,kɒntɹə'vɜ:ʃl/adj. 有争议的
- \_\_\_\_\_ versary/|æni'vɜ:səri/n. 周年纪念日
- \_\_\_\_\_ /rɪ'vɜ:s/v. 颠倒, 扭转; 彻底转变; 倒车
- \_\_\_\_\_ revers \_\_\_\_\_ /,rɪ'vɜ:səbl/adj. 不可逆转的; 不能挽救的



eg: While cheek-kissing for Latin Americans is also a universal greeting form, it does not require such a high degree of relational closeness. (2021.12.3)

## •第46组 家族词汇: load

\_\_\_\_\_ /ləʊd/*n.* 负荷; 工作量 *v.* 装载

\_\_\_\_\_ load/ˌəʊvəˈləʊd/*v.* 超负荷; 使超载; 使负荷过重

\_\_\_\_\_ /ˌdaʊnˈləʊd/*v.* 下载

\_\_\_\_\_ load/ˌʌpˈləʊd/*v.* 上传

\_\_\_\_\_ load/ˈwɜːkləʊd/*n.* 工作量

eg:



•第47组 家族词汇: **flect**

flex \_\_\_\_\_ /'fleksəbl/ *adj.* 灵活的

\_\_\_\_\_ flexible/ɪn'fleksəbl/ *adj.* 僵化的

flex \_\_\_\_\_ /,fleksə'bɪləti/ *n.* 柔韧性

\_\_\_\_\_ /rɪ'flekt/ *v.* 反映; 反射; 反思

reflec \_\_\_\_\_ /rɪ'flekʃn/ *n.* 反思; 反映



eg: Qualities like flexibility and the ability to work under minimal supervision might become critical.(2022.6.2)

## •第48组 家族词汇: crit

critic \_\_\_\_\_ /'krɪtɪsaɪz/v. 批评

critic \_\_\_\_\_ /'krɪtɪsɪzəm/n. 批评

crit \_\_\_\_\_ /'krɪtɪk/n. 评论家

\_\_\_\_\_ /'krɪtɪkl/adj. 批评的; 关键的; 极为重要的

criter \_\_\_\_\_ /kraɪ'tɪəriən/n. 准则

eg: Qualities like flexibility and the ability to work under minimal supervision might become critical.(2022.9)

## •第49组 家族词汇: migr

migr \_\_\_\_\_ /maɪ'greɪt/v. 迁移; 迁徙

migra \_\_\_\_\_ /maɪ'greɪʃn/n. 迁移; 移居; 迁徙

migr \_\_\_\_\_ /'maɪgrənt/n. (为工作) 移居者; 移民; 候鸟

\_\_\_\_\_ migr \_\_\_\_\_ /'ɪmɪgrənt/n. (外来) 移民; 外侨

\_\_\_\_\_ migra \_\_\_\_\_ /,ɪmɪ'greɪʃn/n. 移居 (入境); 移民人数

\_\_\_\_\_ migr \_\_\_\_\_ /'emɪgreɪt/v. 移居国外; 移民

eg: The U.S. was founded by successive waves of immigrants, and immigrants are still contributing to America today—statistics prove it. (2023.6.2)



## •第50组 家族词汇: norm

\_\_\_\_\_ /nɔ:m/n. 准则

norm \_\_\_\_\_ /'nɔ:ml/adj. 正常的; 一般的

\_\_\_\_\_ norm \_\_\_\_\_ /æb'nɔ:ml/adj. 反常的

\_\_\_\_\_ norm \_\_\_\_\_ /ɪ'nɔ:məs/adj. 巨大的

eg: In the coming era of budget cuts to education, distance learning could become the norm.(2022.6.2)

## •第51组 家族词汇: vis/vit

vis \_\_\_\_\_ /'vɪzəbl/ *adj.* 看得见的

\_\_\_\_\_ vis \_\_\_\_\_ /ɪn'vɪzəbl/ *adj.* 看不见的

\_\_\_\_\_ /'vɪʒn/ *n.* 视野; 想象, 憧憬; 远见

vis \_\_\_\_\_ /'vɪʒuəl/ *adj.* 视觉的

\_\_\_\_\_ /əd'vaɪs/ *v.* 劝告; 建议

advis \_\_\_\_\_ /əd'vaɪzəbl/ *adj.* 明智的

\_\_\_\_\_ /rɪ'vaɪz/ *v.* 复习; 修改

\_\_\_\_\_ vise/ 'su:pəvaɪz/ *v.* 监督

supervis \_\_\_\_\_ /'su:pəvaɪzə (r)/ *n.* 监督人

eg: Fraudsters target popular seaside destinations for British tourists visiting Spain where prices can soar if demand exceeds supply.(2022.6.2)

## •第52组 家族词汇: multi

\_\_\_\_\_ /'mʌltɪpl/ *adj.* 数量多的

\_\_\_\_\_ /'mʌltɪplaɪ/ *v.* 乘以; 成倍增加; 增殖

multi \_\_\_\_\_ /,mʌlti'mi:diə/ *adj.* 多媒体的

multi \_\_\_\_\_ /,mʌlti'ta:sk/ *v.* 多任务

eg: Employees with a growth mindset may be more likely to devise innovative ideas that bridge multiple areas of knowledge to achieve better solutions."(2021.12.3)

## •第53组 家族词汇: dom

\_\_\_\_\_ /də'mestɪk/ *adj.* 本国的; 家庭的

\_\_\_\_\_ /'dɒmɪneɪt/ *v.* 支配; 统治; 主导

domestic \_\_\_\_\_ /də'mestɪkeɪt/ *v.* 驯养; 驯化; 使归化

\_\_\_\_\_ dɒm/'frɪ:dəm/ *n.* 自由

\_\_\_\_\_ dɒm/'wɪzdəm/ *n.* 才智

\_\_\_\_\_ dɒm/'seldəm/ *adv.* 很少

\_\_\_\_\_ /'rændəm/ *adj.* 随机的; 任意的; 胡乱的

eg: For example, the United Nations reported that women do nearly three times as much unpaid domestic work as men..(2021.12.1)

## •第54组 家族词汇: rupt

\_\_\_\_\_ rupt/ˌɪntəˈrʌpt/v. 打断; 中断; 插嘴

\_\_\_\_\_ rupt \_\_\_\_\_ /ˌɪntəˈrʌpʃn/n. 打扰; 插嘴

\_\_\_\_\_ rupt/ɪˈrʌpt/v. 爆发; 喷出

\_\_\_\_\_ /əˈbrʌpt/adj. 突然的; 唐突的; 生硬的

\_\_\_\_\_ rupt/ˈbæŋkrʌpt/adj. 破产的; v. 使破产 n. 破产者

\_\_\_\_\_ rupt/kəˈrʌpt/adj. 贪污的; 腐败的 v. 使腐化, 堕落; 破坏

\_\_\_\_\_ ruptive/dɪsˈrʌptɪv/adj. 颠覆性的; 破坏性的

eg: Uncontrolled tourism development has become a primary driver of social and environmental disruption.(2022.9)



## •第55组 家族词汇: point

\_\_\_\_\_ /pɔɪnt/n. 观点; 重点; 目的; 地点; 分数 v. 指向

\_\_\_\_\_ /ə'pɔɪnt/v. 任命; 指定; 约定

\_\_\_\_\_ point \_\_\_\_\_ /ə'pɔɪntmənt/n. 约定; 任命

\_\_\_\_\_ appoint /,dɪsə'pɔɪnt/v. 使失望

\_\_\_\_\_ appoint \_\_\_\_\_ /,dɪsə'pɔɪntmənt/n. 失望

eg: He points out that more  
than 200genes influence weight.(2021.12.2)

## •第56组 家族词汇: sci

\_\_\_\_\_ /'kɒnʃəs/ *adj.* 意识到的

\_\_\_\_\_ conscious/ʌn'kɒnʃəs/ *adj.* 无知觉的

conscious \_\_\_\_\_ /'kɒnʃəsnəs/ *n.* 意识; 知觉

\_\_\_\_\_ conscious/ɪsʌb'kɒnʃəs/ *adj.* 潜意识的

\_\_\_\_\_ /ə'weə (r)/ *adj.* 意识到的; 知道的; 明白的

\_\_\_\_\_ aware/ɪnə'weə (r)/ *adj.* 没意识到的

aware \_\_\_\_\_ /ə'weənəs/ *n.* 意识

eg: Women working outside of the home should make an effort to have a conscious conversation with their partners about more equitable sharing of household and family responsibilities,"Dr. Joyce said.(2021.12.1)

## •第57组 家族词汇: equ

\_\_\_\_\_ /'i:kwəl/ *adj.* 同样的; 平等的

\_\_\_\_\_ /i'kwɒləti/ *n.* 平等; 相等

\_\_\_\_\_ /ˌɪni'kwɒləti/ *n.* 不平等, 不平衡

eg: This is an issue of equality, opportunity and national conscience.